

1/4" FRL



3/4" & 1" FRL



1/2" FRL



Metallic 1/2" FRL



- Streamlined modular construction.
- Easy to dismantle & service.
- Leak proof 'O' Ring joints between units.
- 40  $\mu m$  filter as standard, 5  $\mu m$  optional.
- Regulator knob "Push to Lock" design.
- Low rate spring and fine pitch threads ensures fine and smooth regulation of air pressure.
- Semi Automatic drain on filter bowl.
- Plastic bowl guard.
- Fine pitch, small taper fine adjustment screw on lubricator ensures good control over oil flow setting.

- One touch push to connect and pull collar for quick disconnect
- Special design seal on tube O.D. ensures leak proof connection
- Special steel locking collect
- Leak proof swivel joint 360° rotation & any orientation of tube
- Nickel plated metal body ensures anti corrosion
- Precoated PTFE sealant on threads
- High strength engineerd plastic tube hosing

Silencers



Fittings



Tubings

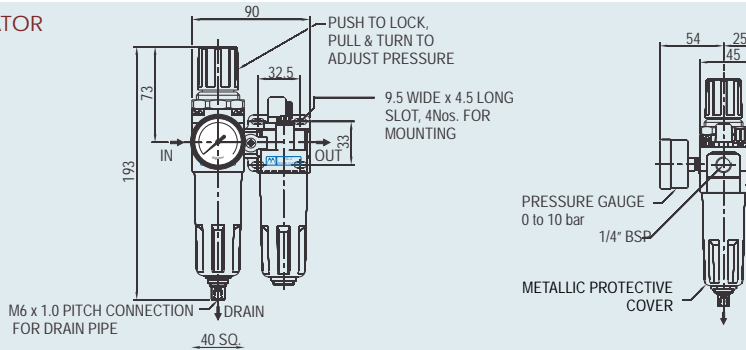


# Mercury Fluid Power Pvt. Ltd.

One of the Leading Supplier of Pneumatic FRL units, Filters, Regulators, Lubricators, Fittings, PU Tubes and Accessories in India.

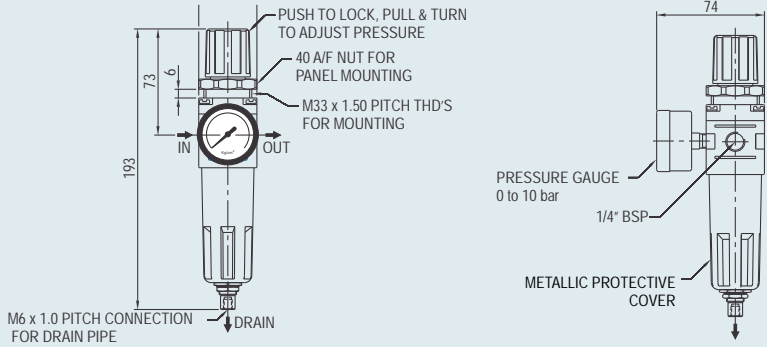
## SERIES 'S' 1/4" (O2) FRL

### FILTER REGULATOR+LUBRICATOR



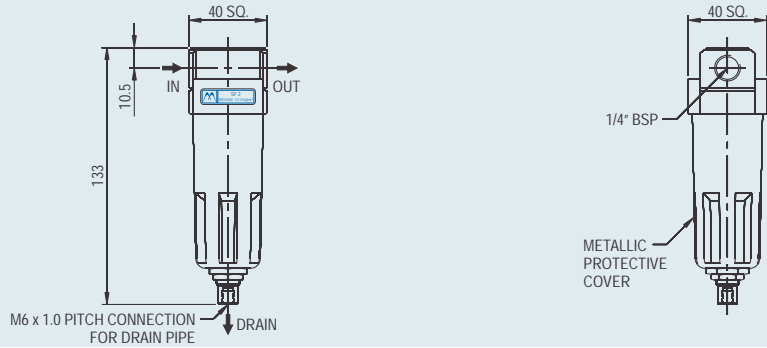
Model	SFR+L02
Port	1/4" BSP
Pressure Range	0.5-8.5 kgf/sq.cm
Temperature	+5° to 50° C
Filtering Density	25µm
Fluid	Air
Max. Flow Rate	500 lit/min (NLP/M)
Recommended Oil	Hydrol 32/Encol 32/ Servo System 32
Pressure Gauge Port	1/8" BSP
Protective Cover	Metallic
Weight	0.56 kg

### FILTER REGULATOR



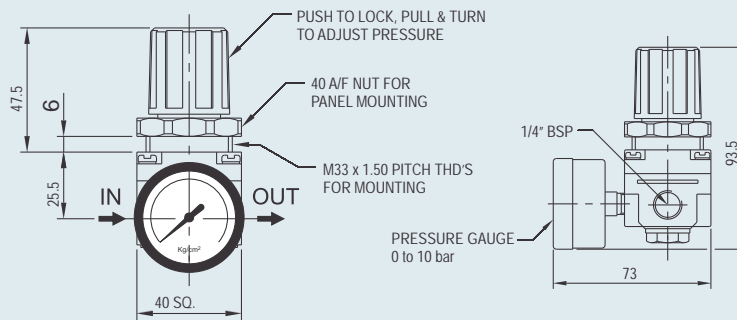
Model	SFR 02
Port	1/4" BSP
Pressure Range	0.5-8.5 kgf/sq.cm
Temperature	+50 to 500 C
Filtering Density	25µm
Fluid	Air
Max. Flow Rate	500 lit/min (NLP/M)
Pressure Gauge Port	1/8" BSP
Protective Cover	Metallic
Weight	0.35 kg

### FILTER



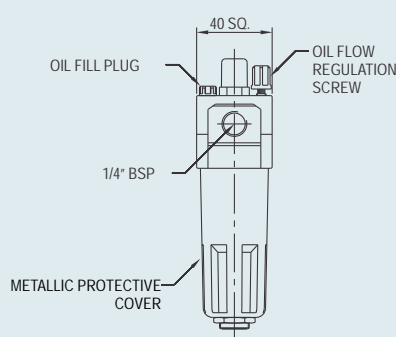
Model	SF 02
Port	1/4" BSP
Pressure Range	0.5-8.5 kgf/sq.cm
Temperature	+5° to 50° C
Filtering Density	25µm
Fluid	Air
Max. Flow Rate	550 lit/min (NLP/M)
Protective Cover	Metallic
Weight	0.17 kg

### REGULATOR



Model	SR 02
Port	1/4" BSP
Pressure Range	0.5-8.5 kgf/sq.cm
Temperature	+5° to 50° C
Fluid	Air
Pressure Gauge Port	1/8" BSP
Max. Flow Rate	550 lit/min (NLP/M)
Weight	0.23 kg

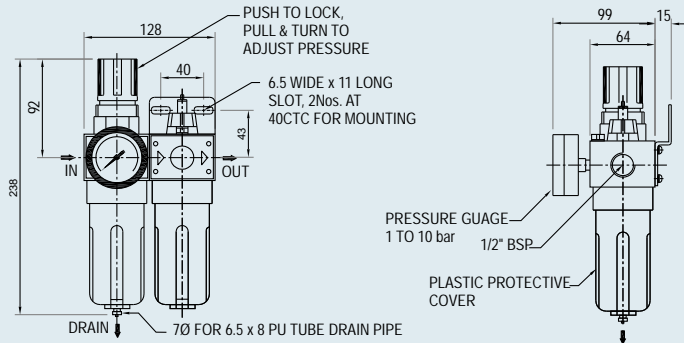
### LUBRICATOR



Model	SL 02
Port	1/4" BSP
Pressure Range	0.5-8.5 kgf/sq.cm
Temperature	05° to 50° C
Fluid	Air
Lubricant	Hydrol 32/Encol 32/ Servo System 32
Max. Flow Rate	750 lit/min (NLP/M)
Min. Oil Drop Flow	15 lit/min
Protective Cover	Metallic
Weight	0.16 kg

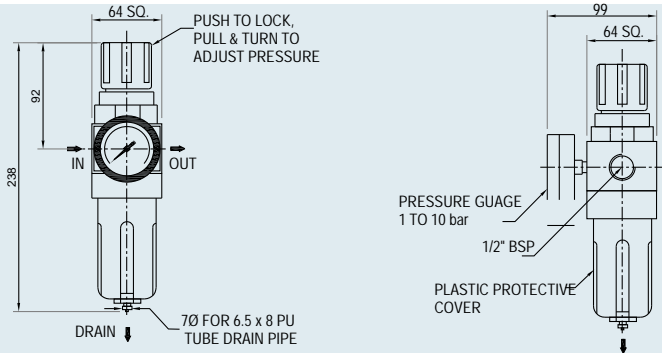
## SERIES 'M' 1/2" (O4) FRL

### FILTER REGULATOR+LUBRICATOR (Also Available in Metal)



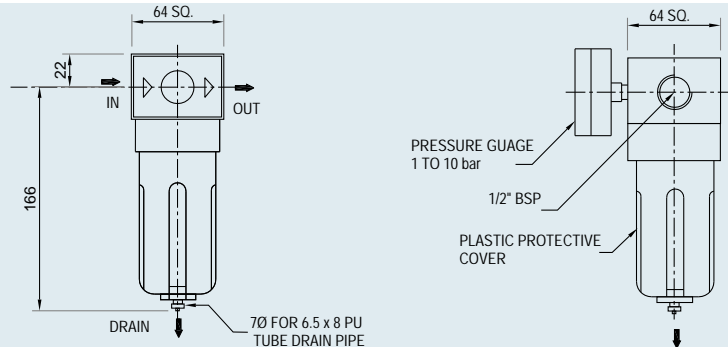
Model	MFR+L04
Port	1/2" BSP
Pressure Range	0.5-9.9 kgf/sq.cm
Temperature	+5 to 60° C
Filtering Density	40µm
Fluid	Air
Max. Flow Rate	2750 lit/min (NLPm)
Recommended Oil	Hydrol 32/Encol 32/ Servo System 32
Pressure Gauge Port	1/4" BSP
Bowl Material	Polycarbonate
Protective Cover	Plastic
Weight	1.20 kg

### FILTER REGULATOR



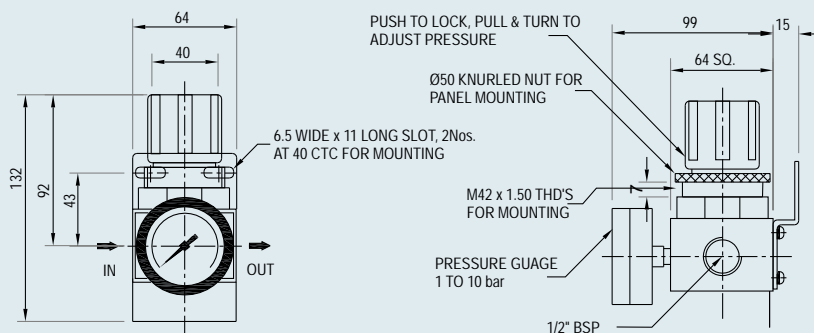
Model	MFR 04
Port	1/2" BSP
Pressure Range	0.5-9.9 kgf/sq.cm
Temperature	+5 to 60° C
Filtering Density	40µm
Fluid	Air
Max. Flow Rate	2750 lit/min (NLPm)
Pressure Gauge Port	1/4" BSP
Bowl Material	Polycarbonate
Protective Cover	Plastic
Weight	0.70 kg

### FILTER



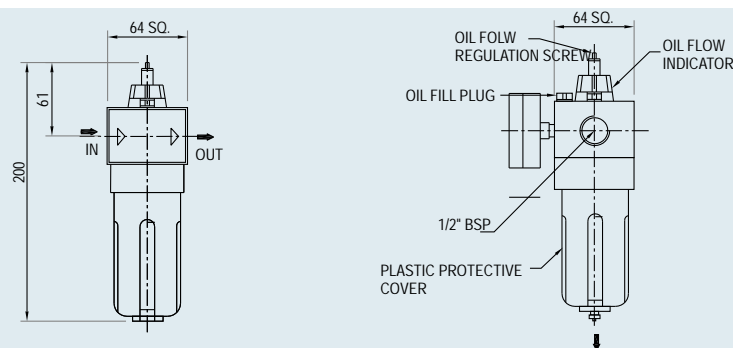
Model	MF 04
Port	1/2" BSP
Pressure Range	0.5-9.9 kgf/sq.cm
Temperature	+5 to 60° C
Filtering Density	40µm
Fluid	Air
Max. Flow Rate	3030 lit/min (NLPm)
Bowl Material	Polycarbonate
Protective Cover	Plastic
Weight	0.45 kg

### REGULATOR



Model	MR 04
Port	1/2" BSP
Pressure Range	0.5-9.9 kgf/sq.cm
Temperature	+5 to 60° C
Fluid	Air
Pressure Gauge Port	1/4" BSP
Protective Cover	Plastic
Weight	0.45 kg
Max. Flow Rate	2750 lit/min (NLPm)
Weight	0.62 kg.

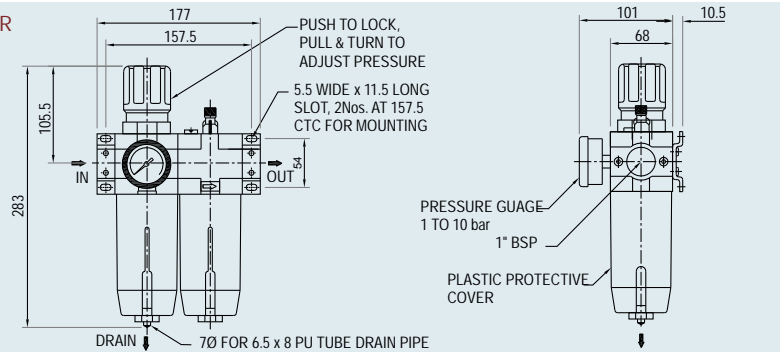
### LUBRICATOR



Model	ML 04
Port	1/2" BSP
Pressure Range	0.5-9.9 kgf/sq.cm
Temperature	+5 to 60° C
Filtering Density	5µm
Fluid	Air
Lubricant	Hydrol 32/Encol 32/ Servo System 32
Max. Flow Rate	4310 lit/min (NLPm)
Min. Oil Drop Flow	15 lit/min
Bowl Material	Polycarbonate
Protective Cover	Plastic
Weight	0.45 kg

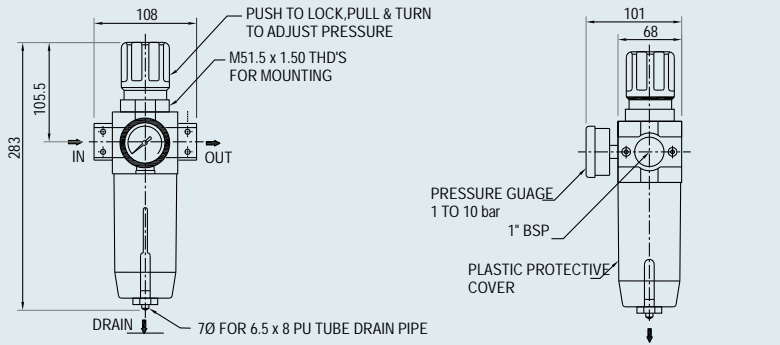
## SERIES 'L' 3/4" (06) & 1" (08) FRL

### FILTER REGULATOR+LUBRICATOR



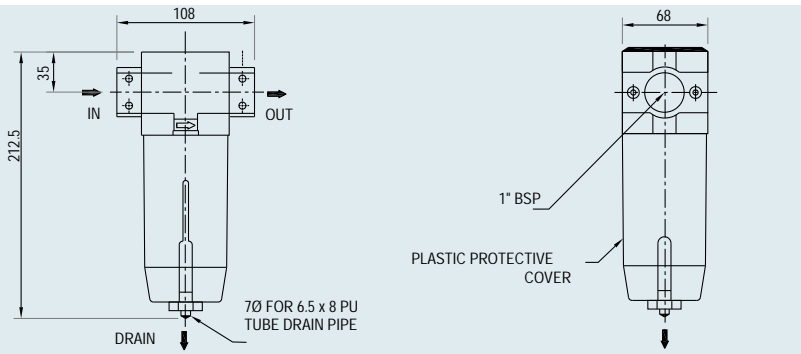
Model	MFR+L06	MFR+L08
Port	3/4" BSP	1" BSP
Pressure Range	0.5-8.5 kgf/sq.cm	
Temperature	05 to 60° C	
Filtering Density	5µm & 40µm	
Fluid	Air	
Max. Flow Rate	7900 lit/min (NLPM)	8100 lit/min. (NLPM)
Recommended Oil	Hydrol 32/Encol 32/ Servo System 32	
Pressure Gauge Port	1/4" NPT	
Bowl Material	Polycarbonate	
Protective Cover	Plastic	
Weight	1.98 kg	1.95 kg

### FILTER REGULATOR



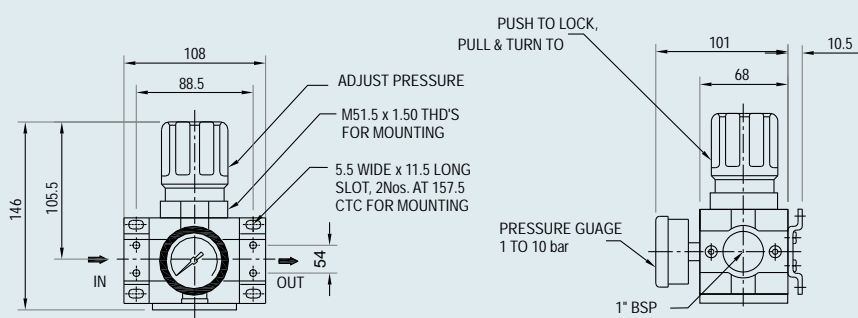
Model	MFR 06	MFR 08
Port	3/4" BSP	1" BSP
Pressure Range	0.5-8.5 kgf/sq.cm	
Temperature	05 to 60° C	
Filtering Density	5 µm & 40 µm	
Fluid	Air	
Max. Flow Rate	7900 lit/min (NLPM)	8100 lit/min. (NLPM)
Pressure Gauge Port	1/4" NPT	
Bowl Material	Polycarbonate	
Protective Cover	Plastic	
Weight	1.30 kg	1.27 kg

### FILTER



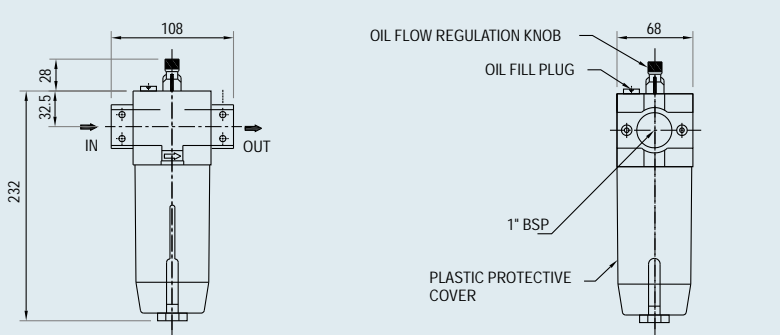
Model	MF 06	MF 08
Port	3/4" BSP	1" BSP
Pressure Range	0.5-8.5 kgf/sq.cm	
Temperature	05 to 60° C	
Filtering Density	5µm & 40µm	
Fluid	Air	
Max. Flow Rate	8000 lit/min (NLPM)	8400 lit/min. (NLPM)
Bowl Material	Polycarbonate	
Protective Cover	Plastic	
Weight	0.80 kg	0.78 kg

### REGULATOR



Model	MR 06	MR 08
Port	3/4" BSP	1" BSP
Pressure Range	0.5-8.5 kgf/sq.cm	
Temperature	05 to 60° C	
Fluid	Air	
Pressure Gauge Port	1/4" NPT	
Max. Flow Rate	7900 lit/min (NLPM)	8100 lit/min. (NLPM)
Weight	0.80 kg	0.78 kg


### LUBRICATOR





Model	ML 06	ML 08
Port	3/4" BSP	1" BSP
Pressure Range	0.5-8.5 kgf/sq.cm	
Temperature	05 to 60° C	
Filtering Density	5µm & 40µm	
Fluid	Air	
Lubricant	Hydrol 32/Encol 32/ Servo System 32	
Max. Flow Rate	8200 lit/min (NLPM)	8800 lit/min. (NLPM)
Min. Oil Drop Flow	15 lit/min	
Bowl Material	Polycarbonate	
Protective Cover	Plastic	
Weight	0.84 kg	0.82 kg


## FITTINGS




Code	01	02	03	04
Thread Size	1/8"	1/4"	3/8"	1/2"




<b>Male Connector</b>	
	
MPC 04 - M5	
MPC 04 - 01	
MPC 04 - 02	
MPC 06 - M5	
MPC 06 - 01	
MPC 06 - 02	
MPC 06 - 03	
MPC 06 - 04	
MPC 08 - 01	
MPC 08 - 02	
MPC 08 - 03	
MPC 08 - 04	
MPC 10 - 02	
MPC 10 - 03	
MPC 10 - 04	
MPC 12 - 02	
MPC 12 - 03	
MPC 12 - 04	

<b>Male "Y"</b>	
	
MPX 04 - M5	
MPX 04 - 01	
MPX 04 - 02	
MPX 06 - M5	
MPX 06 - 01	
MPX 06 - 02	
MPX 06 - 03	
MPX 06 - 04	
MPX 08 - 01	
MPX 08 - 02	
MPX 08 - 03	
MPX 08 - 04	
MPX 10 - 02	
MPX 10 - 03	
MPX 10 - 04	
MPX 12 - 02	
MPX 12 - 03	
MPX 12 - 04	

<b>Male Elbow</b>	
	
MPL 04 - M5	
MPL 04 - 01	
MPL 04 - 02	
MPL 06 - M5	
MPL 06 - 01	
MPL 06 - 02	
MPL 06 - 03	
MPL 06 - 04	
MPL 08 - 01	
MPL 08 - 02	
MPL 08 - 03	
MPL 08 - 04	
MPL 10 - 02	
MPL 10 - 03	
MPL 10 - 04	
MPL 12 - 02	
MPL 12 - 03	
MPL 12 - 04	


<b>Male Branch "T"</b>	
	
MPB 04 - M5	
MPB 04 - 01	
MPB 04 - 02	
MPB 06 - M5	
MPB 06 - 01	
MPB 06 - 02	
MPB 06 - 03	
MPB 06 - 04	
MPB 08 - 01	
MPB 08 - 02	
MPB 08 - 03	
MPB 08 - 04	
MPB 10 - 02	
MPB 10 - 03	
MPB 10 - 04	
MPB 12 - 02	
MPB 12 - 03	
MPB 12 - 04	



<b>Mail Union Manifold</b> 	MPKD 04 - 02	<b>Equal Tee</b> 	MPE - 04	<b>Union Elbow</b> 	MPV - 04
	MPKD 06 - 02		MPE - 06		MPV - 06
	MPKD 06 - 04		MPE - 08		MPV - 08
	MPKD 08 - 04		MPE - 10		MPV - 10
	MPKD 10 - 04		MPE - 12		MPV - 12

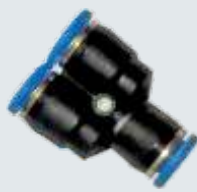

<b>Female Connector</b> 	MPCF 06 - 01	<b>Union Coupler</b> 		<b>Bulk Head Connector</b> 	MPM - 04
	MPCF 06 - 02				MPM - 06
	MPCF 06 - 03				MPM - 08
	MPCF 06 - 04				MPM - 10
	MPCF 08 - 01				MPM - 12
	MPCF 08 - 02				
	MPCF 08 - 03				
	MPCF 12 - 03				
MPCF 12 - 04					

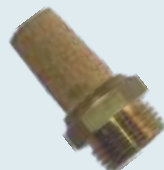





## FITTINGS



ELBOW F C V	
	
MSC 04 - M5	
MSC 04 - 01	
MSC 04 - 02	
MSC 06 - M5	
MSC 06 - 01	
MSC 06 - 02	
MSC 06 - 03	
MSC 06 - 04	
MSC 08 - 01	
MSC 08 - 02	
MSC 08 - 03	
MSC 08 - 04	
MSC 10 - 02	
MSC 10 - 03	
MSC 10 - 04	
MSC 12 - 02	
MSC 12 - 03	
MSC 12 - 04	

Union F C V 	MSU 04	Equal Cross 	MPZ 04
	MSU 06		MPZ 06
	MSU 08		MPZ 08
	MSU 10		MPZ 10
	MSU 12		MPZ 12

Equal "Y" 	MPY 04	Un-Equal Bulkhead 	MPU 04 - 06
	MPY 06		MPU 06 - 08
	MPY 08		MPU 08 - 10
	MPY 10		MPU 08 - 12
	MPY 12		MPU 10 - 12


Brass Silencer 	Model No.	Size	Brass Silencer with Flow Control 	Model No.	Size
	MSL 01	1/8"		MESL 01	1/8"
	MSL 02	1/4"		MESL 02	1/4"
	MSL 03	3/8"		MESL 03	3/8"
	MSL 04	1/2"		MESL 04	1/2"


Plastic Silencer 	Model No.	Size	Coiled Hose Without Fittings 	MPP04
	MPSU 01	1/8"		MPP06
	MPSU 02	1/4"		MPP08
	MPSU 03	3/8"		MPP10
	MPSU 04	1/2"		MPP12

Tube Cutter 	Model No.	Blow Gun 	Model No.
	BC		BG - 02

Code	Thread Size
01	1/8"
02	1/4"
03	3/8"
04	1/2"

## TUBINGS

Polyurethane Tubing    T : Transparent B : Blue	Code No.	Size	Std. Roll(Mts)
	U042.5	PU 4OD x 2.5ID	200 MTR T
	U042.5	PU 4OD x 2.5ID	200 MTR B
	U0604	PU 6OD x 4ID	200 MTR B
	U0805	PU 8OD x 5ID	100 MTR B
	U085.5	PU 8OD x 5.5ID	100 MTR B
	U0806	PU 8OD x 6ID	100 MTR B
	U106.5	PU 10OD x 6.5ID	100 MTR B
	U1008	PU 10OD x 8ID	100 MTR B
	U1208	PU 12OD x 8ID	100 MTR B
	U1209	PU 12OD x 9ID	100 MTR B
	U1210	PU 12OD x 10ID	100 MTR B
	U1612	PU 16OD x 12ID	100 MTR B

Coiled Hose Without Fittings  	Size	
	06 OD X 04 ID X 03 mtr	10 OD X 08 ID X 03 mtr
	06 OD X 04 ID X 05 mtr	10 OD X 08 ID X 05 mtr
	06 OD X 04 ID X 10 mtr	10 OD X 08 ID X 10 mtr
	08 OD X 05 ID X 05 mtr	10 OD X 6.5 ID X 05 mtr
	08 OD X 05 ID X 10 mtr	12 OD X 08 ID X 03 mtr
	08 OD X 5.5 ID X 10 mtr	12 OD X 08 ID X 05 mtr
	08 OD X 06 ID X 03 mtr	12 OD X 08 ID X 10 mtr
	08 OD X 06 ID X 05 mtr	

\* All types of accessories are available for Filter, Regulator and Lubricator.

# Our Business Associates



## Mercury Fluid Power Pvt. Ltd.

X-170, Opp. Colgate Palmolive Ltd.,  
M.I.D.C Area, Waluj, Aurangabad - 431 136.  
Maharashtra, India.  
Tel.: +91 - 240 - 2556133, 2552425 Telefax : +91 - 240 - 2555645  
E - mail: nitinskyline@gmail.com  
Website : www.mfppl.com

### Head Office :

D - 134, Ansa Industrial Estate, Saki Vihar Road,  
Andheri ( E), Mumbai - 400072, India.  
Phone: +91 - 22 - 28474449, 28470063, 28471020  
Fax: +91 - 22 - 28470632.  
E - mail: mercury pneumatics@vsnl.net  
Website: www.mercuryindia.net

▪ Authorised Dealer / Stockist ▪